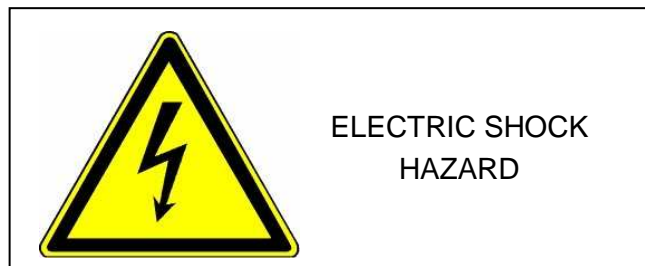




**INSTALLATION AND MAINTENANCE GUIDE  
FOR HYDRAULIC  
MICRO TECHNICAL CENTRES WITH  
SIEMENS LOGO! PLC  
Article Code: CC20000H**

**THIS MANUAL IS INTENDED FOR FOREMEN AND TECHNICAL STAFF IN CHARGE OF THE  
INSTALLATION, OPERATION AND MAINTENANCE OF THIS PRODUCT.**



**SOMMAIRE**

**Installation and Maintenance Guide for the Hydraulic Micro Technical Centre with SIEMENS LOGO! PLC**

<b>1. GENERAL FEATURES</b> .....	3
1.1. Introduction .....	3
1.2. Mechanical specifications (cabinet enclosure) .....	4
1.3. Electrical specifications .....	4
1.4. Contraindications .....	4
<b>2. HOW TO INSTALL THE TECHNICAL CENTRE</b> .....	5
<b>3. CONNECTION AND ACTIVATION OF THE MICRO TECHNICAL CENTRE</b> .....	6
3.1. Programming and tuning.....	6
3.2. 1 <sup>st</sup> Energization .....	6

**User's manual for the Siemens LOGO! PLC**

**User's manual for the hydraulic group**

## 1. GENERAL FEATURES

The LOGO! micro-technical centre with hydraulic group is intended for the operation of URBACO hydraulic retractable bollards.

Remote controls, to be ordered separately, will actuate the bollards down.

The number of bollards is limited by the capacity of the hydraulic group to energize the bollards (quantity of oil utilised and speed of bollard rise/descent; as a general rule, 1 or 2 standard hydraulic bollards or 1 high security hydraulic bollard).

The cabinet containing the technical centre is made of metal; its base has been bored in advance (cable gland).

It is designed for wall mount with anchor clips (supplied).

### 1.1. Introduction:

The technical centre in its metal enclosure is naturally ventilated (A).

As a standard, it integrates a perforated grid on which the Siemens LOGO! is fixed (1), protections (2), connection racks, the hydraulic group (3) and, as an option, the heater, control actuators built-in and operation logic apparels.



**1.2. Mechanical specifications (cabinet enclosure) :**

Dimensions: Height 600 x Width 400 x Depth 250

Working depth: 230mm

Material: Steel

Thickness: 1.5mm

Weight: ~43 kg

Surfacing process includes phosphatation, neutralisation, passivation, neutralisation and polyester coating of 60µm by electro-static powdering.

Protection degree: IP 44

Shock index: IK 10 (1kg at 50cm)

Insulation: Class I, phonic and thermal

Ventilation: forced 230V

Door: 1 plain steel door

Closing: handle with 2-point lock and key (Ref. N°2 433A (2 keys are supplied)

Maximal load with anchor clips supplied: 100kg

Behaviour of cabinets depending on their surroundings:

Inside			Outside					Environment				
Dry	Humid	Very Humid	Dry	Humid	Very Humid	Dry	Humid	Very Humid	Dry	Humid	Very Humid	Dry
Excellent	Excellent	Good	Excellent	Excellent	Good	Excellent	Excellent	Good	Excellent	Excellent	Good	Excellent

**1.3. Electrical specifications:**

Voltage: 230V 1-phased 16A + Earth

Power: about 1500W

Operability: non-stop (if oil < +70°C)

Ambient temperature outside: -10°C (with heating system, available on option) to +40°C.

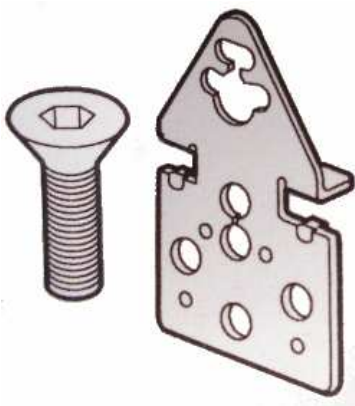
**1.4. Contraindications:**

The use of the LOGO! micro-technical centre with hydraulic group depends on oil temperature in the tank. According to ambient temperature and time in operation, variation of oil temperature will occur. It must be between 0°C and 80°C.

The cabinet must be placed somewhere with enough ventilation not to disturb natural air circulation.

This system is suited for the management of control actuators by dry contact, of URBACO limit switches, of induction loops and of hydraulic group surveillance.

## 2. HOW TO INSTALL THE TECHNICAL CENTRE



Use the set of 4 x wall-mount pegs supplied.

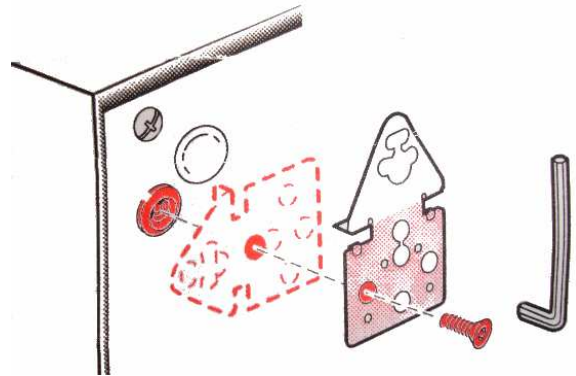
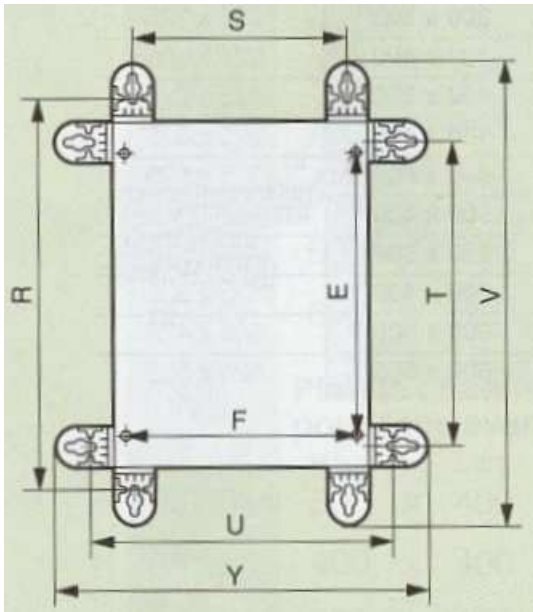
Place the cabinet indoor or outdoor against a wall (garage, technical shed/room...) as close as possible to the access site.

Even if the level of noise is low (< 50 dB), the installation of the technical centre is not to be envisaged inside an office where people are meant to be working.

Some cabinets have thermal insulation.

Leave enough room around the cabinet to ensure proper cooling.

The door must be locked with a key and kept out of the reach of children.



### Wall-mounting

is ensured with 4 x pegs screwed on the cabinet, either horizontally or vertically, but in any case the cabinet must be positioned vertically. The pegs are fixed to the wall with concrete anchors (or similar), not supplied.

Cabinets		Vertical pegs		Horizontal pegs		Cabinet + Pegs Height (mm)	
Height (mm)	Width (mm)	R(mm)	S(mm)			R(mm)	S(mm)
		500	400	550	350	500	400
600	400	650	350	600	400	650	350
600	600	650	550	600	600	650	550



### 3. CONNECTION AND ACTIVATION OF THE MICRO TECHNICAL CENTRE

Once all the wiring is done and all hydraulic flexible tubing is connected, to/from the bollard to/from the cabinet, proceed as follows for activation (see technical data sheet for Micro Technical Centre for connections).



For reasons of safety, the cable for power supply cable will be connected at the last moment by a professional electrician.



All connections must be done with power TURNED OFF.



For the first activation, it is strongly recommended to close the access location with appropriate means to prevent vehicle driving through. This is to avoid any hazard or accident in case something is not properly connected.

#### 3.1. Programming and tuning:

Programme the LOGO! PLC as per requirements (see §6 of the users' guide to LOGO! PLC).

#### 3.2. 1<sup>st</sup> Energization:

If loops have been laid around the bollard for safety reasons, remove any metallic object if placed over the loops so as not to disturb the detector.



Energize the micro technical centre and look around to check the bollard perimeter (nobody and no vehicle around).

Program radio transmitters\*

Reset detector to initialize it\* (no metallic object should be placed over the loops during the process).

\*: depending on equipment within the technical centre.

See §7 of the users' guide to LOGO! PLC to proceed with operation tests.



All safety functions must be controlled with all due attention.

Once the operation has been validated in real conditions (with vehicles driving through), access site may be opened for traffic.

Check for potential oil leak.





**Type : CC20000H**

URBACO S.A. - Z.A. du Couquiou 84320 ENTRAIGUES - FRANCE

Tél : +33 490 480 808 - Fax : +33 490 480 088

[export@urbaco.fr](mailto:export@urbaco.fr) – [www.urbaco.com](http://www.urbaco.com)